

Product information sheet DALAGO 5

Item no. 518521

Benefits



- Large bowl for best comfort in small spaces
- Continuous tap ledge protects the worktop from water drops
- Modern design with clear lines
- Functional accessories optional available

Colours



Available colours:

- black
- anthracite
- rock grey
- alu metallic
- white
- jasmine
- champagne
- tartufo
- coffee

SILGRANIT anthracite

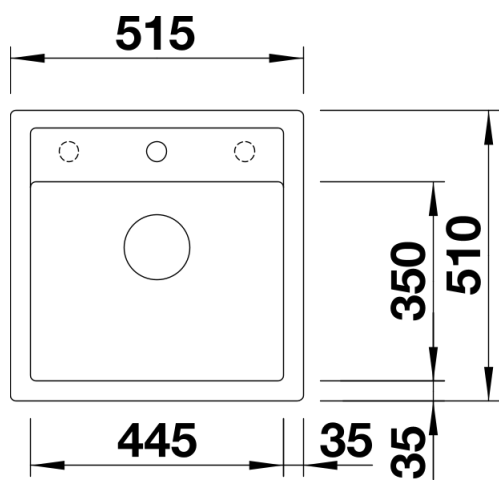
Planning information

- Special fixing elements are required for undermount installation.

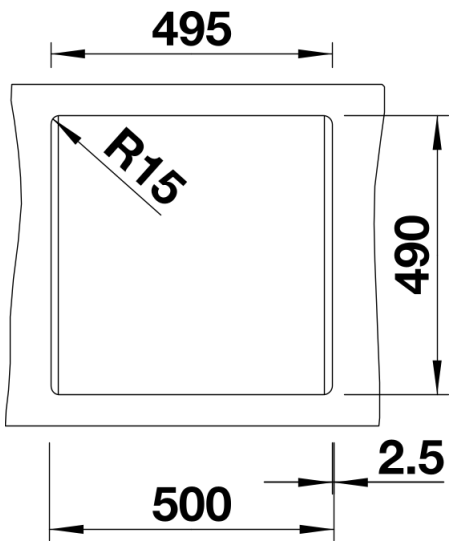
Scope of supply

- waste kit with space-saving pipe
- 3 ½" basket strainer with drain remote control (rotary switch)

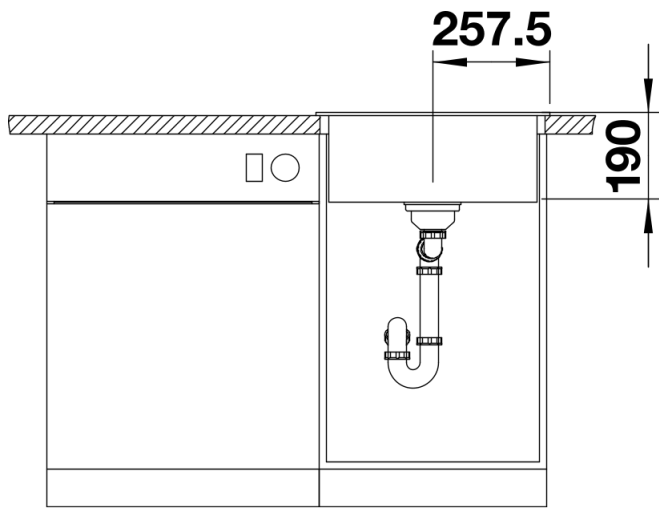
Details



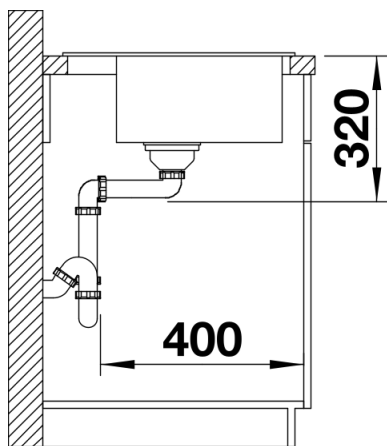
Top view



Cut-out



Front view



Side view